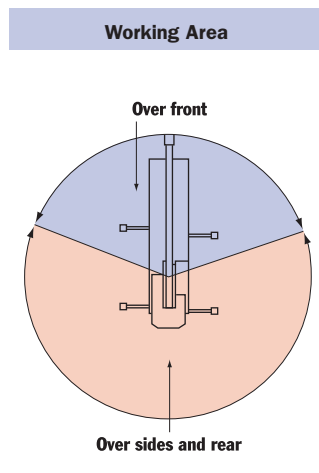


Crane Width 3100, Outrigger fully extended width 7200, Outrigger half extended width 4850

Operating Radius (m)	Total Rated Loads – Main Boom Outriggers fully extended						
	Front jack extended (360°) / Front jack not extended (over sides and rear)						
	10.80m	14.45m	18.10m	21.75m	25.40m	32.70m	40.00m
3.0	50.00	28.00	28.00	24.00			
3.5	42.20	28.00	28.00	24.00	18.00		
4.0	37.00	28.00	28.00	24.00	18.00		
4.5	33.00	28.00	28.00	24.00	18.00		
5.0	30.20	28.00	28.00	24.00	18.00	13.00	
5.5	27.50	26.50	25.60	23.20	18.00	13.00	
6.0	25.00	24.00	23.50	21.50	18.00	13.00	
6.5	22.70	22.30	21.80	19.90	18.00	13.00	7.50
7.0	20.70	20.30	20.00	18.40	16.80	13.00	7.50
7.5	18.90	18.60	18.50	17.10	15.70	13.00	7.50
8.0	17.40	17.10	17.00	15.90	14.80	12.30	7.50
8.5	15.95	15.70	15.60	14.65	14.00	11.60	7.50
9.0	14.35	14.20	14.10	13.50	13.20	11.00	7.50
9.5		12.85	12.70	12.55	12.45	10.50	7.50
10.0		11.70	11.55	11.45	11.40	10.00	7.30
11.0		9.75	9.60	9.50	9.45	9.10	6.80
12.0		8.20	8.10	8.00	7.95	8.30	6.30
13.0		7.00	6.85	6.75	6.70	7.55	5.90
14.0			5.85	5.75	5.70	6.50	5.50
16.0			4.25	4.15	4.10	4.95	4.70
18.0				3.00	2.95	3.75	4.00
20.0				2.10	2.05	2.80	3.30
22.0					1.30	2.10	2.55
23.0					1.00	1.80	2.25
24.0						1.50	2.00
26.0						1.05	1.50
28.0						0.65	1.10
30.0							0.75
31.0							0.60

C - Jib length D - Jib offset E - Boom angle	Total Rated Loads – Fly Jib					
	Outriggers fully extended					
	Front jack extended (360°) / Front jack not extended (over sides and rear)					
	9.2m			15.0m		
	5°	25°	45°	5°	25°	45°
81°	3.50	2.30	1.25	2.50	1.20	0.70
79°	3.50	2.30	1.25	2.50	1.20	0.69
78°	3.50	2.30	1.24	2.50	1.19	0.69
77°	3.32	2.23	1.22	2.35	1.16	0.68
76°	3.13	2.16	1.20	2.22	1.13	0.67
75°	2.97	2.09	1.18	2.10	1.10	0.65
74°	2.82	2.02	1.17	1.98	1.07	0.64
72°	2.55	1.89	1.13	1.78	1.03	0.63
70°	2.33	1.76	1.10	1.61	0.98	0.61
68°	2.14	1.65	1.07	1.48	0.94	0.60
66°	1.97	1.56	1.05	1.36	0.91	0.58
64°	1.83	1.47	1.03	1.26	0.88	0.57
62°	1.71	1.38	1.01	1.16	0.85	0.56
60°	1.51	1.30	0.99	1.08	0.81	0.56
58°	1.23	1.15	0.97	1.01	0.77	0.55
56°	1.02	0.94	0.90	0.80	0.70	0.54
54°	0.80	0.75	0.72	0.60	0.55	0.54
52°	0.60	0.58	0.57	-	-	-



WORKING RADIUS – LIFTING HEIGHT

