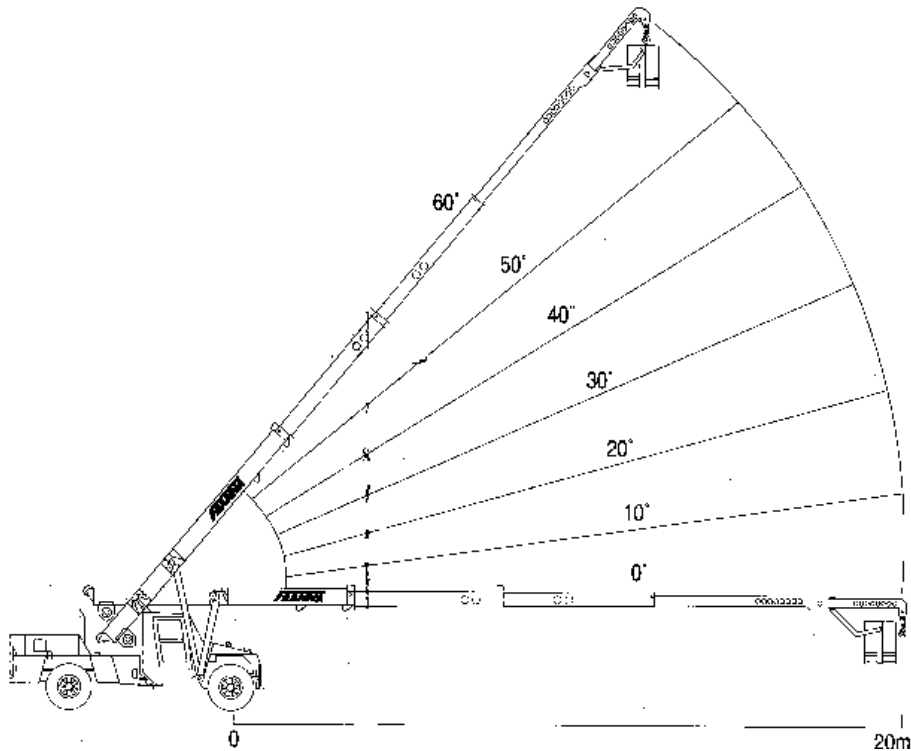




Dimensions (Franna 14-Tonne Crane)

Description	Dimensions
Overall Height	2.89 metres
Overall Width	2.45 metres
Overall Length of Carrier	6.00 metres



Rating Chart (Franna 14-Tonne Crane)

Symbol	KEY Description
*	S.W.L in Kg for slew angles of 10° OR LESS either side of straight ahead.
#	S.W.L in Kg for slew angles of 10° OR GREATER either side of straight ahead.
mtr	Radius in metres.

Boom Angle	Boom length in metres																	Manual Extension		
	5.56	6.00	6.50	7.00	7.50	8.00	8.50	9.00	9.50	10.00	10.50	11.00	11.50	12.00	12.50	13.00	13.50	13.85	16.85	17.90
60° *				7,500	7,500	7,500	7,500	7,500	7,500	7,500	6,900	5,750	5,200	4,750	4,400	4,050	3,800	3,600	2,250	1,850
#				7,500	7,500	7,500	7,500	7,500	7,500	7,400	6,750	5,750	5,200	4,750	4,400	4,050	3,800	3,600	2,250	1,850
mtr				<b>1.28</b>	<b>1.53</b>	<b>1.78</b>	<b>2.03</b>	<b>2.28</b>	<b>2.53</b>	<b>2.78</b>	<b>3.03</b>	<b>3.28</b>	<b>3.53</b>	<b>3.78</b>	<b>4.03</b>	<b>4.28</b>	<b>4.53</b>	<b>4.70</b>	<b>6.20</b>	<b>6.73</b>
50° *	7,500	7,500	7,500	7,500	7,500	7,500	6,950	6,250	5,700	5,200	4,750	4,400	4,050	3,700	3,400	3,150	2,950	2,800	1,900	1,600
#	7,500	7,500	7,500	7,500	7,500	7,000	6,250	5,600	5,050	4,650	4,250	3,900	3,600	3,350	3,150	2,950	2,750	2,650	1,900	1,600
mtr	<b>1.43</b>	<b>1.65</b>	<b>1.97</b>	<b>2.30</b>	<b>2.62</b>	<b>2.94</b>	<b>3.26</b>	<b>3.58</b>	<b>3.90</b>	<b>4.22</b>	<b>4.54</b>	<b>4.87</b>	<b>5.19</b>	<b>5.51</b>	<b>5.83</b>	<b>6.15</b>	<b>6.47</b>	<b>6.70</b>	<b>8.63</b>	<b>9.30</b>
40° *	7,500	7,500	7,500	7,150	6,300	5,650	5,050	4,600	4,200	3,850	3,550	3,250	3,050	2,850	2,650	2,450	2,300	2,200	1,600	1,300
#	7,500	7,500	7,400	6,400	5,650	5,000	4,500	4,100	3,700	3,400	3,150	2,900	2,700	2,500	2,300	2,150	2,050	1,950	1,500	1,300
mtr	<b>2.15</b>	<b>2.42</b>	<b>2.80</b>	<b>3.18</b>	<b>3.57</b>	<b>3.95</b>	<b>4.33</b>	<b>4.72</b>	<b>5.10</b>	<b>5.48</b>	<b>5.86</b>	<b>6.25</b>	<b>6.63</b>	<b>7.01</b>	<b>7.40</b>	<b>7.78</b>	<b>8.16</b>	<b>8.43</b>	<b>10.73</b>	<b>11.53</b>
30° *	7,500	7,500	6,500	5,700	5,050	4,550	4,100	3,700	3,400	3,100	2,850	2,650	2,450	2,300	2,150	2,000	1,900	1,800	1,350	1,150
#	7,500	6,750	5,800	5,100	4,500	4,050	3,650	3,300	3,000	2,750	2,550	2,350	2,150	2,000	1,850	1,750	1,650	1,550	1,200	1,100
mtr	<b>2.74</b>	<b>3.05</b>	<b>3.48</b>	<b>3.91</b>	<b>4.35</b>	<b>4.78</b>	<b>5.21</b>	<b>5.64</b>	<b>6.08</b>	<b>6.51</b>	<b>6.94</b>	<b>7.38</b>	<b>7.81</b>	<b>8.24</b>	<b>8.68</b>	<b>9.11</b>	<b>9.54</b>	<b>9.84</b>	<b>12.44</b>	<b>13.35</b>
20° *	7,150	6,450	5,600	4,900	4,350	3,900	3,550	3,250	2,950	2,700	2,500	2,300	2,150	2,000	1,850	1,750	1,600	1,550	1,200	1,100
#	6,450	5,750	5,000	4,400	3,900	3,500	3,150	2,850	2,600	2,400	2,200	2,000	1,850	1,750	1,600	1,500	1,400	1,350	1,000	950
mtr	<b>3.19</b>	<b>3.52</b>	<b>3.99</b>	<b>4.46</b>	<b>4.93</b>	<b>5.40</b>	<b>5.87</b>	<b>6.34</b>	<b>6.81</b>	<b>7.28</b>	<b>7.75</b>	<b>8.22</b>	<b>8.69</b>	<b>9.16</b>	<b>9.63</b>	<b>10.10</b>	<b>10.57</b>	<b>10.90</b>	<b>13.72</b>	<b>14.70</b>
10° *	6,500	5,850	5,100	4,500	4,000	3,600	3,250	2,950	2,700	2,500	2,300	2,100	1,950	1,850	1,700	1,600	1,500	1,400	1,100	1,000
#	5,850	5,250	4,550	4,000	3,550	3,200	2,900	2,600	2,400	2,200	2,000	1,850	1,700	1,600	1,450	1,350	1,300	1,200	900	850
mtr	<b>3.48</b>	<b>3.83</b>	<b>4.32</b>	<b>4.81</b>	<b>5.30</b>	<b>5.80</b>	<b>6.29</b>	<b>6.78</b>	<b>7.27</b>	<b>7.77</b>	<b>8.26</b>	<b>8.75</b>	<b>9.24</b>	<b>9.74</b>	<b>10.23</b>	<b>10.72</b>	<b>11.21</b>	<b>11.56</b>	<b>14.51</b>	<b>15.51</b>
0° *	6,250	5,650	4,900	4,350	3,850	3,500	3,150	2,850	2,650	2,400	2,200	2,050	1,900	1,750	1,650	1,550	1,450	1,350	1,050	1,000
#	5,600	5,050	4,400	3,850	3,450	3,100	2,800	2,550	2,300	2,100	1,950	1,800	1,650	1,550	1,400	1,300	1,250	1,150	900	800
mtr	<b>3.60</b>	<b>3.95</b>	<b>4.45</b>	<b>4.95</b>	<b>5.45</b>	<b>5.95</b>	<b>6.45</b>	<b>6.95</b>	<b>7.45</b>	<b>7.95</b>	<b>8.45</b>	<b>8.95</b>	<b>9.45</b>	<b>9.95</b>	<b>10.45</b>	<b>10.95</b>	<b>11.45</b>	<b>11.80</b>	<b>14.80</b>	<b>15.85</b>

**Boom Fully Extended, Manual Extension Extended  
(2.6mtr Fly Jib fitted)**

Boom Angle	Radius (metres)	Safe Working Load (kilograms)
60°	8.03	750
50°	10.97	700
40°	13.53	650
30°	15.60	600
20°	17.15	550
10°	18.11	500
0°	18.45	500

**Boom Pivot to Inner Lug, 1st Jib Extension  
Manual Extension Retracted**

Boom Angle	3.58	4.00	4.50	5.00	5.50	6.00	6.50	7.00	7.68
60° *							12,500	11,450	10,250
#							12,500	11,450	10,250
mtr							<b>1.21</b>	<b>1.46</b>	<b>1.80</b>
50° *				14,000	13,150	11,900	9,950	8,450	6,950
#				14,000	13,150	10,650	8,800	7,450	6,100
mtr				<b>1.17</b>	<b>1.49</b>	<b>1.81</b>	<b>2.13</b>	<b>2.46</b>	<b>2.89</b>
40° *		14,000	14,000	12,300	9,850	8,150	6,900	5,900	4,900
#		14,000	14,000	10,950	8,750	7,200	6,050	5,200	4,300
mtr		<b>1.02</b>	<b>1.40</b>	<b>1.79</b>	<b>2.17</b>	<b>2.55</b>	<b>2.94</b>	<b>3.32</b>	<b>3.84</b>
30° *		14,000	11,900	9,350	7,600	6,350	5,400	4,650	3,850

#	14,000	10,600	8,300	6,750	5,600	4,750	4,050	3,350
<b>mtr</b>	<b>1.42</b>	<b>1.85</b>	<b>2.29</b>	<b>2.72</b>	<b>3.15</b>	<b>3.58</b>	<b>4.02</b>	<b>4.61</b>
20° *	14,000	13,000	9,900	7,850	6,450	5,400	4,600	3,950
#	14,000	11,650	8,800	6,950	5,700	4,750	4,050	3,450
<b>mtr</b>	<b>1.32</b>	<b>1.71</b>	<b>2.18</b>	<b>2.65</b>	<b>3.12</b>	<b>3.59</b>	<b>4.06</b>	<b>4.53</b>
10° *	14,000	11,650	8,950	7,150	5,900	4,950	4,200	3,600
#	13,750	10,400	7,950	6,300	5,200	4,300	3,650	3,150
<b>mtr</b>	<b>1.48</b>	<b>1.89</b>	<b>2.39</b>	<b>2.88</b>	<b>3.37</b>	<b>3.86</b>	<b>4.36</b>	<b>4.85</b>
0° *	14,000	11,250	8,650	6,900	5,700	4,800	4,100	3,500
#	13,200	10,050	7,700	6,100	5,000	4,200	3,550	3,050
<b>mtr</b>	<b>1.53</b>	<b>1.95</b>	<b>2.45</b>	<b>2.95</b>	<b>3.45</b>	<b>3.95</b>	<b>4.45</b>	<b>4.95</b>

**Boom Pivot to Outer Lug, 1st Jib Extension  
Manual Extension Retracted**

Boom Angle	4.70	5.00	5.50	6.00	6.50	7.00	7.50	8.00	8.50	9.00
60° *						12,850	11,750	10,850	10,050	8,800
#						12,850	11,800	10,850	10,050	8,800
<b>mtr</b>						<b>1.21</b>	<b>1.46</b>	<b>1.71</b>	<b>1.96</b>	<b>2.21</b>
50° *	14,000	13,550	12,250	10,500	8,950	7,700	6,750	6,000	5,600	
#	14,000	13,550	11,350	9,400	7,950	6,850	6,000	5,300	4,950	
<b>mtr</b>	<b>1.17</b>	<b>1.49</b>	<b>1.81</b>	<b>2.13</b>	<b>2.46</b>	<b>2.78</b>	<b>3.10</b>	<b>3.42</b>	<b>3.61</b>	
40° *	14,000	13,050	10,050	8,700	7,350	6,350	5,500	4,850	4,300	
#	13,700	11,750	9,400	7,750	6,550	5,600	4,900	4,300	3,800	
<b>mtr</b>	<b>1.56</b>	<b>1.79</b>	<b>2.17</b>	<b>2.55</b>	<b>2.94</b>	<b>3.32</b>	<b>3.70</b>	<b>4.08</b>	<b>4.47</b>	
30° *	11,500	10,000	8,200	6,850	5,850	5,050	4,400	3,850	3,450	
#	10,300	8,950	7,300	6,100	5,150	4,450	3,850	3,400	3,000	
<b>mtr</b>	<b>2.03</b>	<b>2.29</b>	<b>2.72</b>	<b>3.15</b>	<b>3.58</b>	<b>4.02</b>	<b>4.45</b>	<b>4.88</b>	<b>5.32</b>	
20° *	9,700	8,500	7,000	5,850	5,000	4,350	3,800	3,350	2,950	
#	8,700	7,600	6,200	5,200	4,450	3,800	3,300	2,900	2,550	
<b>mtr</b>	<b>2.37</b>	<b>2.65</b>	<b>3.12</b>	<b>3.59</b>	<b>4.06</b>	<b>4.53</b>	<b>5.00</b>	<b>5.47</b>	<b>5.94</b>	
10° *	8,800	7,750	6,400	5,350	4,600	3,950	3,450	3,050	2,700	
#	7,900	6,900	5,700	4,750	4,050	3,500	3,000	2,650	2,300	
<b>mtr</b>	<b>2.58</b>	<b>2.88</b>	<b>3.37</b>	<b>3.86</b>	<b>4.36</b>	<b>4.85</b>	<b>5.34</b>	<b>5.83</b>	<b>6.32</b>	
0° *	8,500	7,500	6,200	5,200	4,450	3,850	3,350	2,950	2,600	
#	7,600	6,700	5,500	4,600	3,900	3,350	2,900	2,550	2,250	
<b>mtr</b>	<b>2.65</b>	<b>2.95</b>	<b>3.45</b>	<b>3.95</b>	<b>4.45</b>	<b>4.95</b>	<b>5.45</b>	<b>5.95</b>	<b>6.45</b>	